

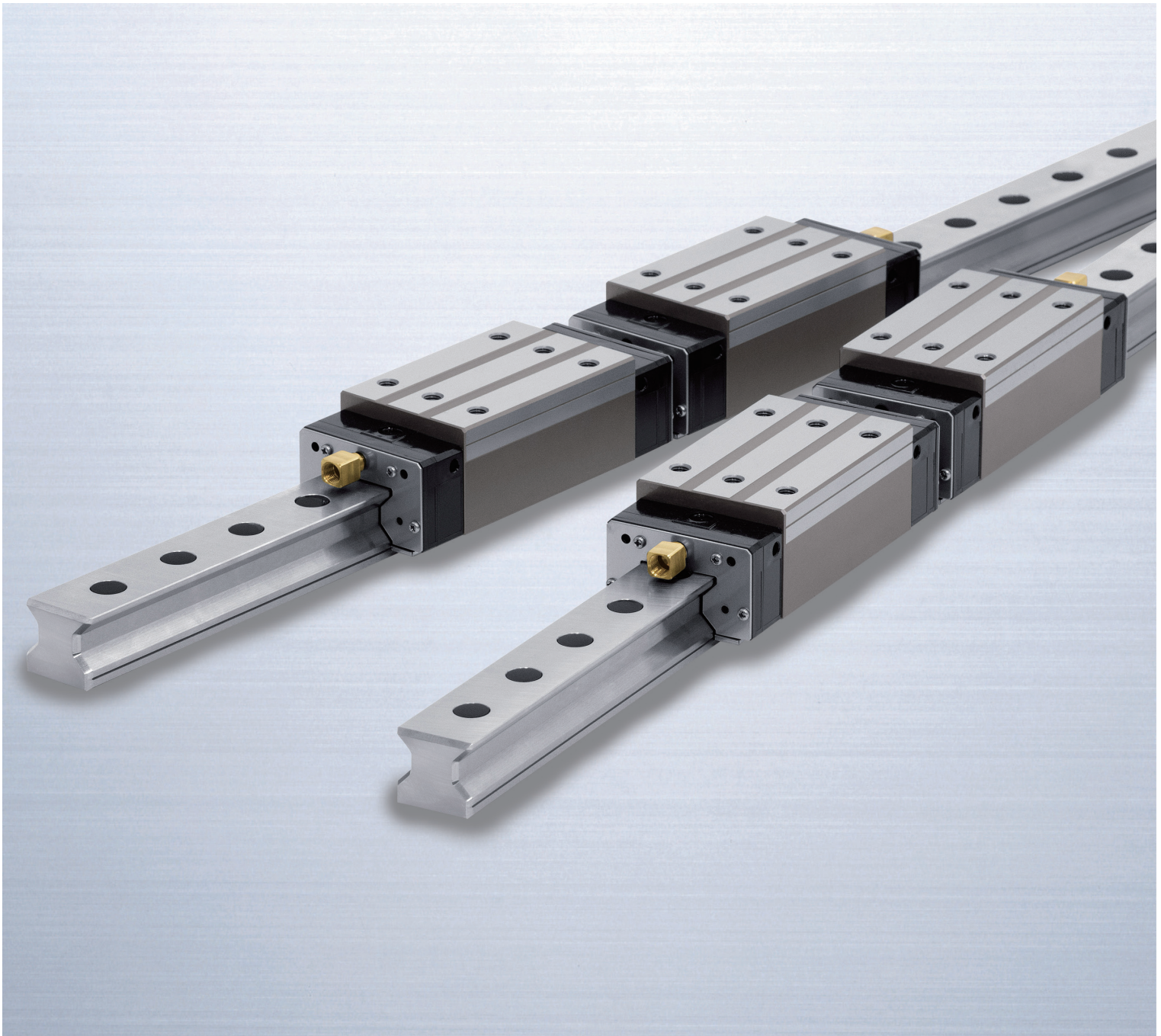
NSK Linear Guides™

Roller Guides with highly dust-resistant V1 seals and V1 bottom seals

Achieve longer life with highly dust-resistant V1 seals and V1 bottom seals for RA model linear guides.

When combined with the NSK K1™ lubrication unit, these enhanced seals offer even higher durability in machine tools.

Patented



Adding highly dust-resistant V1 seals and V1 bottom seals to our proven RA models realizes a wide product lineup that stands up to contaminated environments with excellent dust resistance.

Highly dust-resistant V1 seal (end seal)

For RA25, 30, 35, 45, 55 and 65 (Installed in place of standard end seals)

Features

- Excellent dust resistance
Achieves excellent resistance to dust and low frictional force by optimizing the seal lip shape and amount of contact.
- Maintains dust resistance over a long period
Uses a seal material with high abrasion resistance (one-fifth that of conventional materials in a ASTM D1044 taper test) for long-term performance.

Highly dust-resistant V1 bottom seal

For RA35, 45, 55 and 65 (Installed outside standard bottom seals)

Features

With the same lip shape and material as the highly dust-resistant V1 seal, the V1 bottom seal maintains highly excellent resistance to dust over a long period. Foreign matter often enters the slide in certain installation arrangements. Covering the whole bottom base of the slide significantly reduces the risk of this ingress. Generally, V1 bottom seals are used along with dust-resistant V1 seals.

Protector

For RA25, 30, 35, 45, 55 and 65 (Installed outside dust-resistant V1 seals)

Features

A steel plate installed outside of the dust-resistant V1 seal repels large foreign particles and protects the V1 seal from hot and hard contaminants.

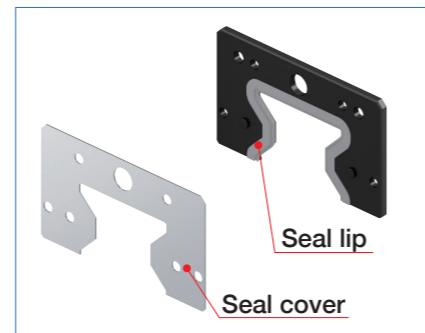
Rail mounting hole caps

For RA25, 30, 35, 45, 55 and 65

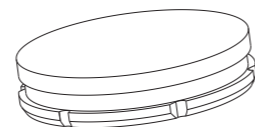
Features

The supplied rail mounting hole caps help to prevent contaminants from accumulating in the holes and entering the slide. Caps with a flatter top and stronger resistance to sinking from external forces are also available for some models (RA35, 45, 55, and 65).

Highly dust-resistant V1 seal



Rail mounting hole caps



Sink-resistant caps
(Available for RA 35, 45, 55, and 65)

More and more machine tools use simplified covers and support a wide variety of workpieces, increasing cases where parts are exposed to contaminants.

We respond to these changes with a combination of highly dust-resistant V1 seals, V1 bottom seals, and other options (rail mounting hole caps, covers for the top of the rail surface, and protectors) for roller guides to achieve excellent resistance to dust in all directions.

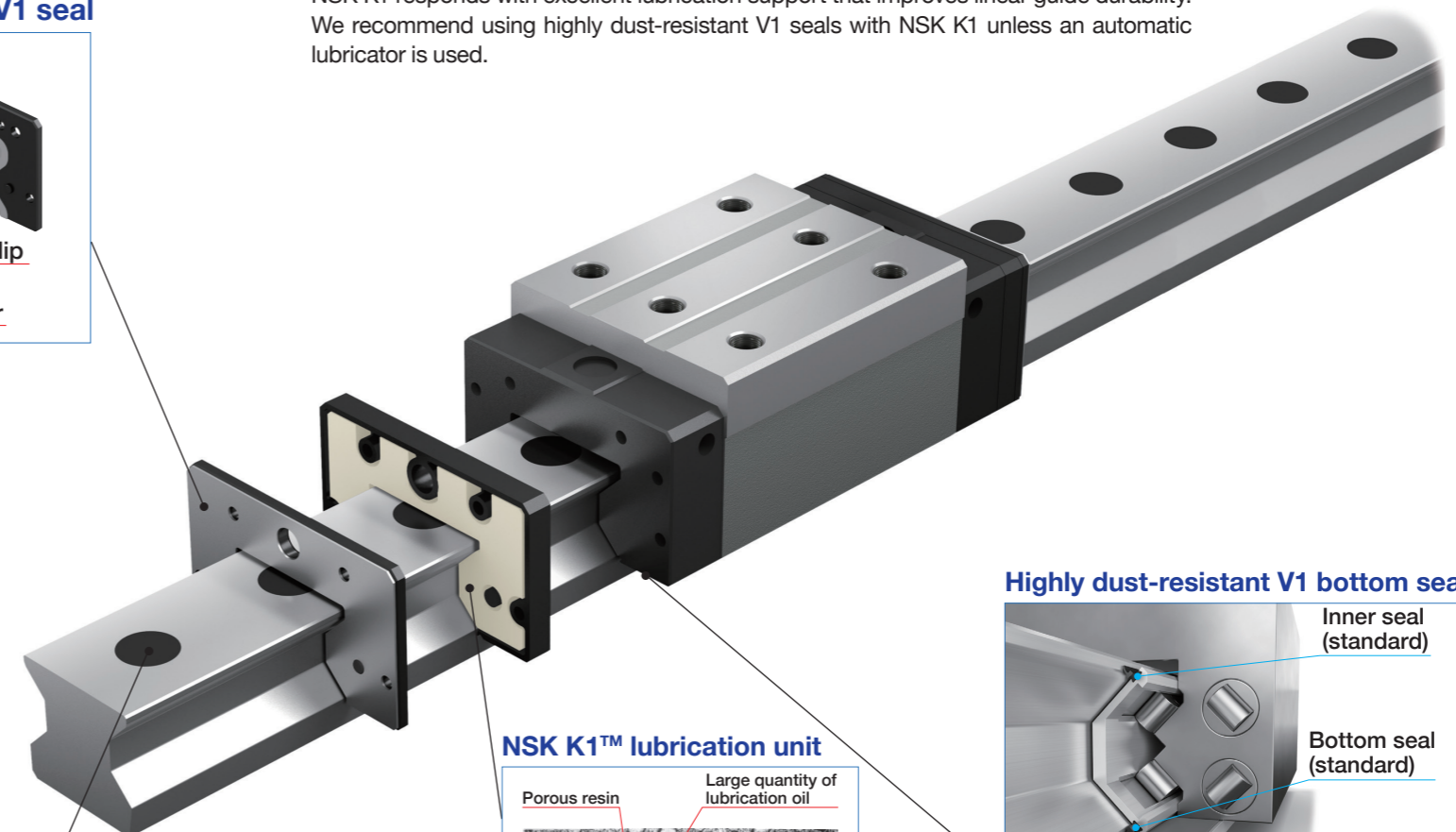
When combined with the lubrication support of the NSK K1™ lubrication unit, NSK linear guides realize even longer life and increased reliability.

NSK K1™ lubrication unit

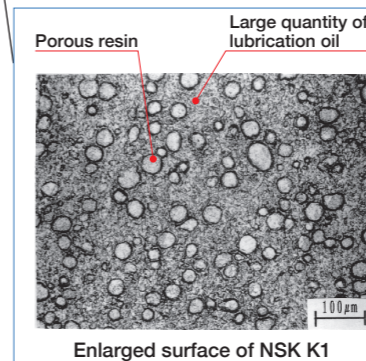
For RA25, 30, 35, 45, 55 and 65

Features

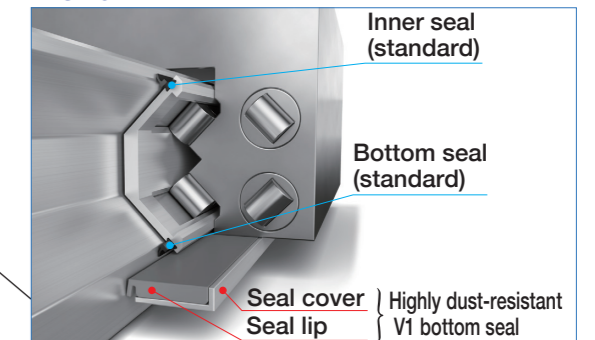
The NSK K1 lubrication unit features a porous resin containing a large amount of lubrication oil. As the unit contacts the raceway surface, it supplies it with fresh lubricant. Linear guides require a consistent supply of lubricant such as grease. In contaminated environments, foreign particles absorb lubricants and deteriorate lubrication conditions. NSK K1 responds with excellent lubrication support that improves linear guide durability. We recommend using highly dust-resistant V1 seals with NSK K1 unless an automatic lubricator is used.



NSK K1™ lubrication unit



Highly dust-resistant V1 bottom seal



Rail cover

For RA25, 30, 35, 45, 55 and 65

Features

Covers the top surface of the rails to completely prevent foreign matter from accumulating in the rail mounting bolt holes. This maximizes the dust resistance of V1 seals.

Rail cover



NSK's Advanced Dust Resistance Technology

Highly dust-resistant V1 seals and V1 bottom seals prevent contaminants from entering the slide, extending operating life.

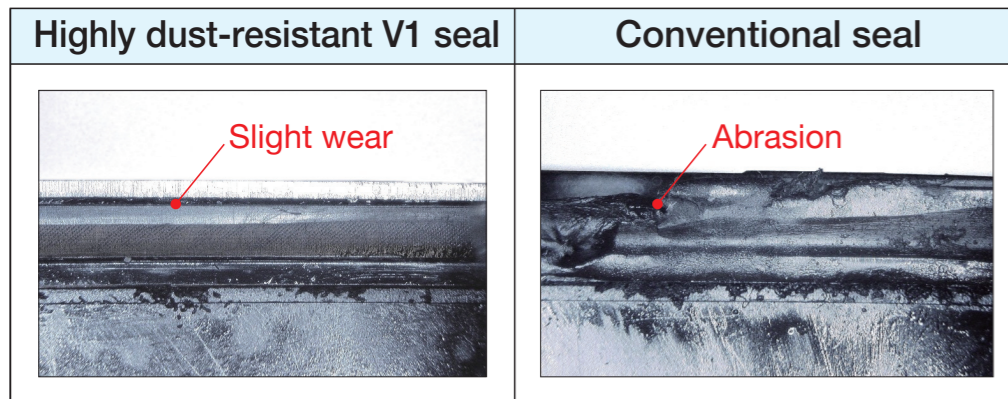
*Acceleration tests shown below were conducted to demonstrate seal performance. Please note that seal performance and durability depend on the type of foreign matter and lubrication conditions.

Significantly improved durability with new seal lip material

A seal's wear resistance is vital for maintaining seal performance. The seal lips for highly dust-resistant V1 seals and V1 bottom seals feature a material with excellent wear resistance.

This wear resistance, together with the optimized shape of the seal lip, greatly improves seal lip durability.

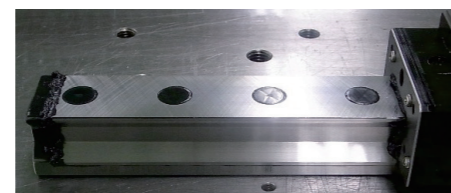
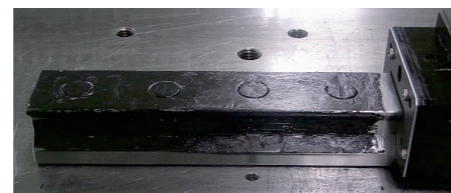
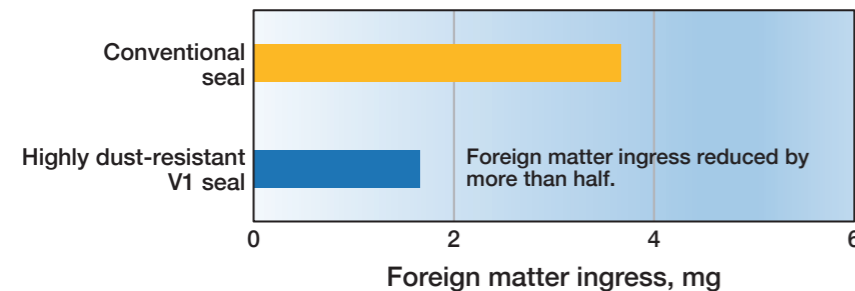
Evaluation method	Checked lip condition after run with unlubricated seal
Sample	RA35 (with rail cover)
Condition	Travel speed: 30 m/min Travel distance: 40 km
Lubrication	No lubrication (on seal)



Greatly reduced foreign matter entry

Microscopic foreign matter enters the slide, prevents roller circulation, and reduces the operating life of the roller guide. Installing dust-resistant V1 seals reduces the amount of contaminants that enter the slide by more than half.

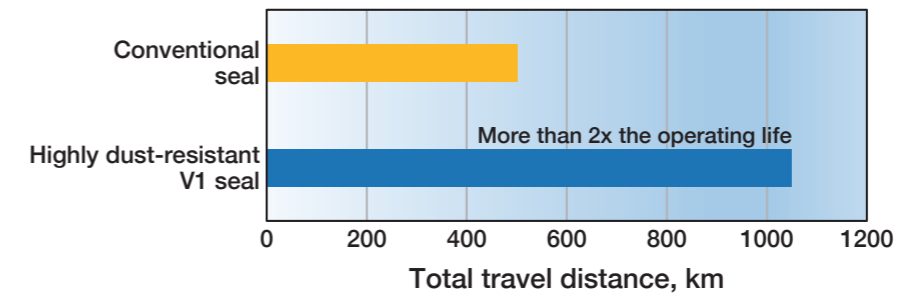
Evaluation method	Applied foreign matter to rail and measured ingress after seal passage
Sample	RA35 (with rail mounting hole caps)
Condition	10 cycles at the travel speed of 1 m/min (stroke: 150 mm)
Lubrication	Grease mixed with graphite powder (average grain size: 37 μm) (grease and foreign matter weight ratio: 10:3)



More than double the operating life

Foreign matter such as graphite and wood chips absorb lubrication oil and thus negatively affect the operating life of roller guides. Installing highly dust-resistant V1 seals extends the operating life of roller guides to more than double that with conventional seals.

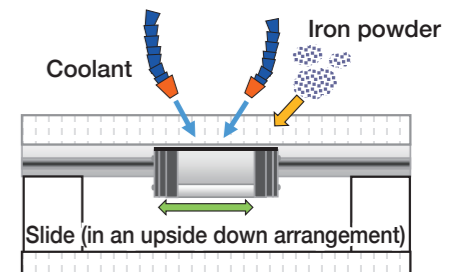
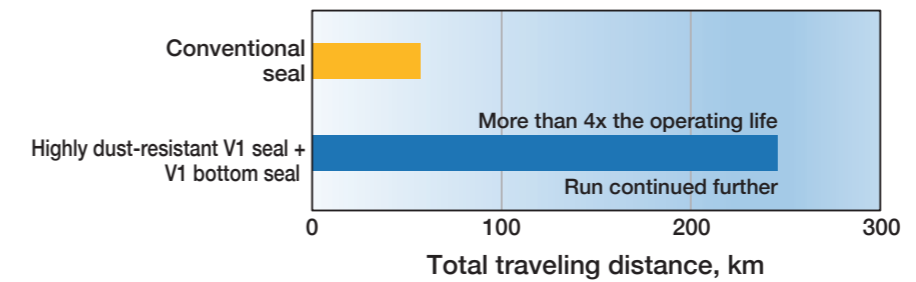
Evaluation method	Checked total travel distance of roller guides with seals installed in an environment contaminated with foreign matter
Sample	RA35 (with rail mounting hole caps)
Travel speed	60 m/min.
Lubrication	AS2 Grease + NSK K1 lubrication unit
Foreign matter	Graphite powder (average grain size: 37 μm)



Over 4 times longer life when upside down

In certain installation arrangements (mounted to a ceiling, hanging on a wall), foreign matter can enter from the bottom face of the slide. Installing highly dust-resistant V1 seals and V1 bottom seals substantially reduces foreign matter ingress and provides more than 4x the operating life of conventional seals.

Evaluation method	Checked total travel distance of roller guides with seals installed in an environment contaminated with foreign matter
Sample	RA35 (with rail mounting hole caps)
Condition	Travel speed 30 m/min., stroke: 300 mm
Lubrication	AS2 Grease + NSK K1 lubrication unit
Foreign matter	[Coolant 0.2 liter + iron powder/day Iron powder grain size: 150 μm or below At the start of the test, the total amount for one month was added.



Use of linear guides in a contaminated environment

- (1) Using a linear guide in a contaminated environment has serious effects on lubrication conditions and the durability of the linear guide. We recommend performing evaluation tests for your specific application.
- (2) If expecting use in a contaminated environment, fill in the Technical Data Sheet for linear guides in contaminated environments and consult NSK for expert guidance.

Mounting Dimensions

RA-AN (High-load type/Standard), RA-BN (Super high-load type/Long)
 RA-AL (High-load type/Standard), RA-BL (Super high-load type/Long)

Example reference number **RA 35 1000 AN P 2 - ** P6 3**

Model: RA 35 1000 AN P 2 - ** P6 3

Size: 35 1000

Rail length (mm): 1000

Slide code: AN, BN, AL, BL

Seal/Surface treatment code: P: V1 Seal, R: V1 Seal + surface treatment

Preload code 1: Slight preload
 3: Medium preload 3

Accuracy code
 P3, P4, P5, P6 (without NSK K1)
 K3, K4, K5, K6 (with NSK K1)

Design serial number (added to the reference number)

Number of slides per rail: 3

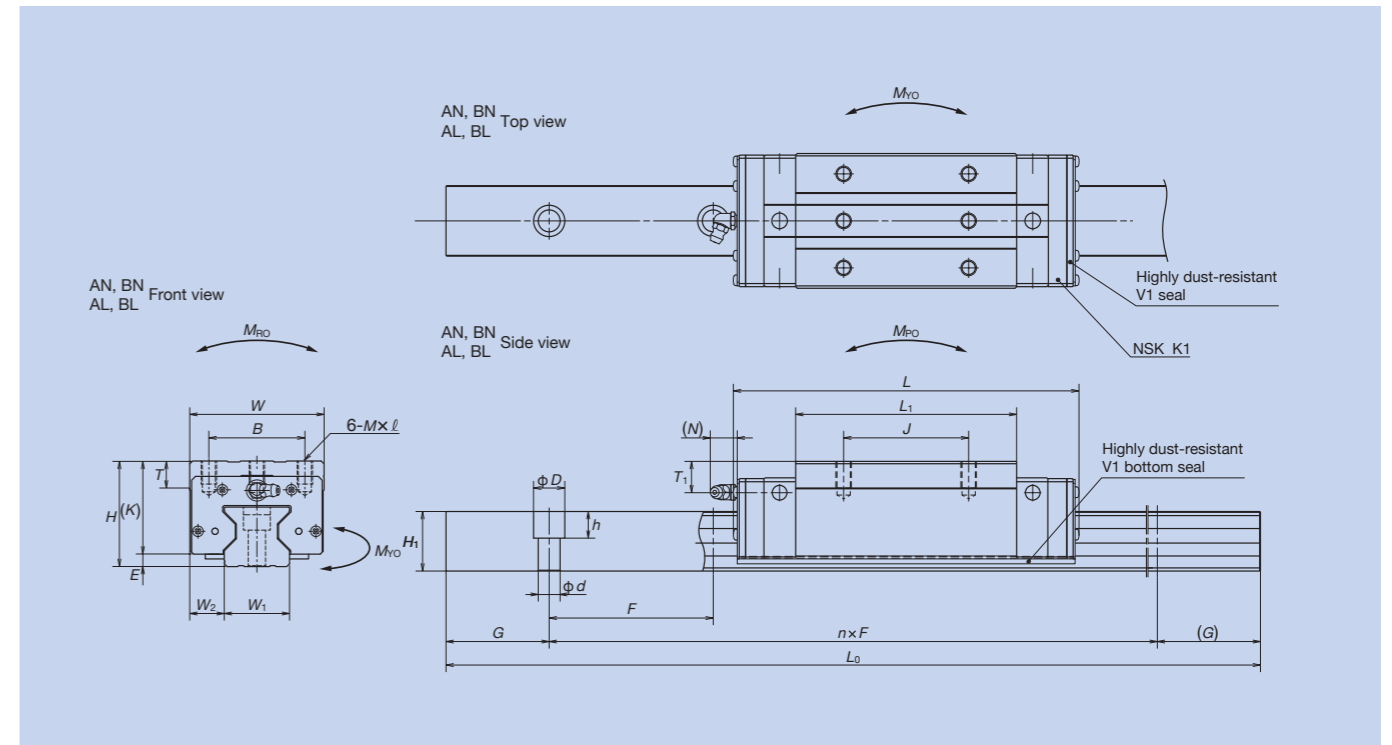
Mounting precautions

Highly dust-resistant V1 bottom seals are installed on the bottom face of the slide. Take care to avoid interference with any shoulder on the machine base.

unit : mm

	RA35	RA45	RA55	RA65
Shoulder height H_{V1}	3	4.5	5.5	9.5
Slide bottom face height E_{V1}	min. 3.7	min. 5.2	min. 6.2	min. 10.2
Slide main body bottom face height E	6.5	8	9	13

Roller guides with highly dust-resistant V1 seals and V1 bottom seals



Highly dust-resistant V1 seals and V1 bottom seals are not available as standalone items for slides.
 *For details on the RA Model, such as accuracy, preload, grease fitting, etc., please refer to the NSK Precision Machine Components Catalog CAT. No.E3162 and RA Model Roller Guide Catalog CAT. No. E3328. For other details, please consult NSK.

Model No.	Assembly				Slide												
	Height	E	W ₂	Width	Length L			Mounting hole			Grease fitting						
					Standard Spec.	V1 +K1 Spec.	V1 Spec.	B	J	M x Pitch x l	L ₁	K	T	Hole size	T ₁	N	
RA25	AN	40	5	12.5	48	97.5	111.3	101.3	35	35	M6x1x9	65.5	35	12	M6x0.75	10	11
	AL	36															
	BN	40				115.5	129.3	119.3		50		83.5	35			10	
	BL	36															
RA30	AN	45	6.5	16	60	110.8	126.8	114.8	40	40	M8x1.25x11	74	38.5	14	M6x0.75	10	11
	AL	42															
	BN	45				135.4	151.4	139.4		60		98.6	38.5			10	
	BL	42															
RA35	AN	55	1) 6.5	18	70	123.8	140.8	127.8	50	50	M8x1.25x12	83.2	48.5	15	M6x0.75	15	11
	AL	48															
	BN	55				152	169	156		72		111.4	48.5			15	
	BL	48															
RA45	AN	70	1) 8	20.5	86	154	173.2	159.2	60	60	M10x1.5x17	105.4	62	17	Rc1/8	20	14
	AL	60															
	BN	70				190	209.2	195.2		80		141.4	62			20	
	BL	60															
RA55	AN	80	1) 9	23.5	100	184	203.2	189.2	75	75	M12x1.75x18	128	71	18	Rc1/8	21	14
	AL	70															
	BN	80				234	253.2	239.2		95		178	71			21	
	BL	70															
RA65	AN	90	13	31.5	126	228.4	251.2	236.2	76	70	M16x2x20	155.4	77	22	Rc1/8	19	14
	BN	90				302.5	325.3	310.3		120		229.5	77			19	

Notes 1) When highly dust-resistant V1 bottom seals are installed, the height of the slide bottom face refers to mounted dimensions. See the precautions above.
 2) Slide length L indicates length for the specification when mounted. For standard specifications: One standard side seal is attached to each end of the slide.
 For V1+K1: One V1 seal and NSK K1 unit is attached to each end of the slide.
 For V1: One V1 seal is attached to each end of the slide.

Rail										Basic Load Ratings								Weight	
Width	Height	Pitch	Mounting bolt holes	G	Max. length	Dynamic				Static				Slide	Rail				
						[50 km]	[100 km]	C ₀	M _{PO}	M _{PO}	M _{YO}	M _{PO}	M _{YO}						
W ₁	H ₁	Pitch	d x D x h	(Reference)	L _{0max}	C ₅₀ (N)	C ₁₀₀ (N)	(N)	M _{PO}	M _{PO}	M _{YO}	M _{PO}	M _{YO}	(kg)	(kg/m)				
						One slide	Two slides	One slide	Two slides	One slide	Two slides								
23	24	30 (60)	7x11x9	20	3 900	36 000	29 200	72 700	970	760	4 850	760	4 850	0.60	3.4				
						43 500	35 400	92 900	1 240	1 240	7 200	1 240	7 200	0.45					
28	28	40 (80)	9x14x12	20	3 900	47 800	38 900	93 500	1 670	1 140	7 100	1 140	7 100	1.0	4.9				
						58 500	47 600	121 000	2 170	1 950	11 500	1 950	11 500	1.3					
34	31	40 (80)	9x14x12	20	3 900	65 500	53 300	129 000	2 810	1 800	11 000	1 800	11 000	1.6	6.8				
						82 900	67 400	175 000	3 810	3 250	17 800	3 250	17 800	2.1					
45	38	52.5 (105)	14x20x17	22.5	3 650	114 000	92 800	229 000	6 180	4 080	24 000	4 080	24 000	3.0	10.9				
						143 000	116 000	305 000	8 240	7 150	39 000	7 150	39 000	4.1					
53	43.5	60 (120)	16x23x20	30	3 600	159 000	129 000	330 000	10 200	7 060	41 000	7 060	41 000	4.9	14.6				
						207 000	168 000	462 000	14 300	13 600	72 000	13 600	72 000	6.7					
63	55	75 (150)	18x26x22	35	3 600	259 000	210 000	504 000	19 200	12 700	78 500	12 700	78 500	9.3	22.0				
						355 000	288 000	756 000	28 700	28 600	153 000	28 600	153 000	12.2					

3) Pitch F of the rail mounting bolt holes have standard dimensions (without parentheses) and semi-standard dimensions (with parentheses). Please select one. If no selection is made, standard dimensions will be applied.
 4) Basic load ratings comply with ISO standards (ISO 14728-1, 14728-2). C₅₀: basic dynamic load rating for 50 km rated fatigue life, C₁₀₀: basic dynamic load rating for 100 km rated fatigue life

Mounting Dimensions

Roller guides with highly dust-resistant V1 seals and V1 bottom seals

RA-EM (High-load type/Standard), RA-GM (Super high-load type/Long)

Example reference number **RA 35 1000 EM P 2 - ** P6 3**

Model: RA, Size: 35, Rail length (mm): 1000, Slide code: EM, GM, Seal/Surface treatment code: P, V1 Seal, R: V1 Seal + surface treatment

Preload code 1: Slight preload 1, 3: Medium preload 3

Accuracy code P3, P4, P5, P6 (without NSK K1), K3, K4, K5, K6 (with NSK K1)

Design serial number (added to the reference number)

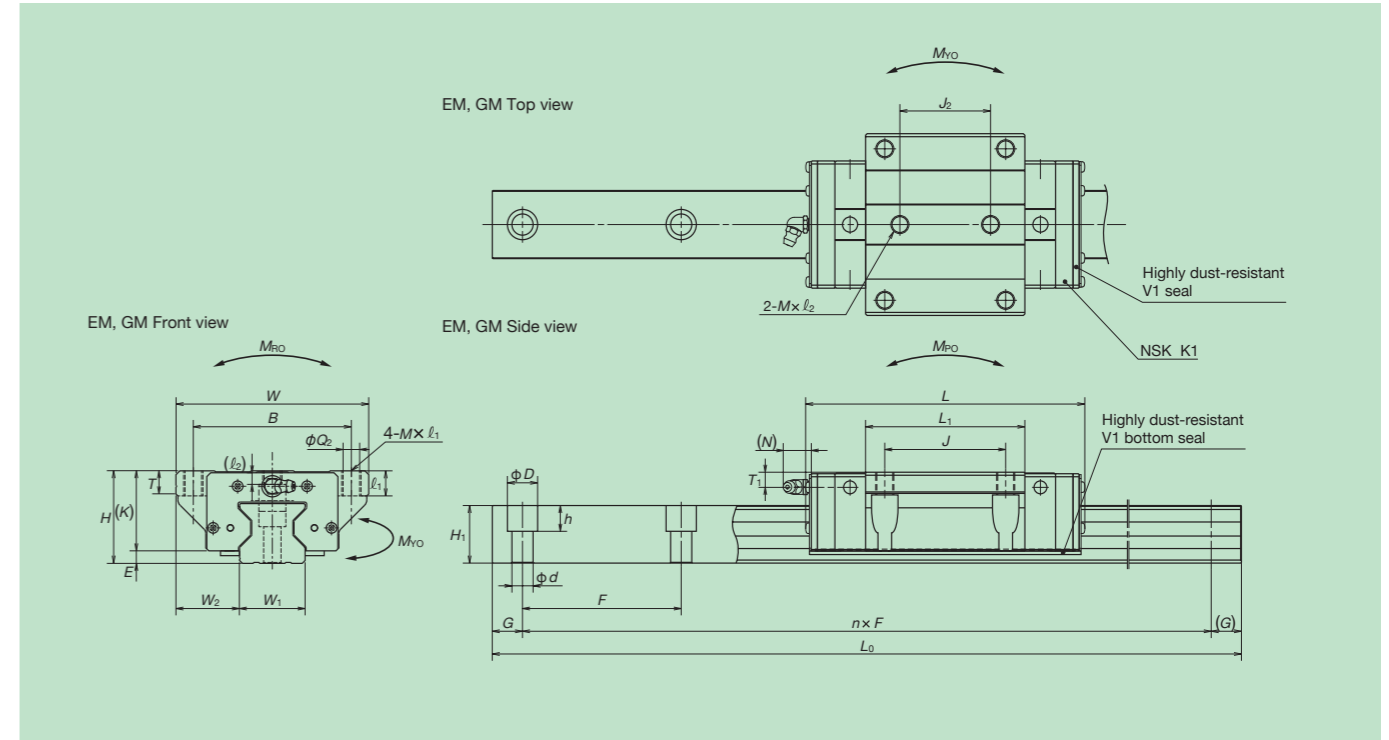
Number of slides per rail

Mounting precautions

Highly dust-resistant V1 bottom seals are installed on the bottom face of the slide. Take care to avoid interference with any shoulder on the machine base.

unit : mm

	RA35	RA45	RA55	RA65
Shoulder height H_{V1}	3	4.5	5.5	9.5
Slide bottom face height E_{V1}	min. 3.7	min. 5.2	min. 6.2	min. 10.2
Slide main body bottom face height E	6.5	8	9	13



Highly dust-resistant V1 seals and V1 bottom seals are not available as standalone items for slides.
 *For details on the RA Model, such as accuracy, preload, grease fitting, etc., please refer to the NSK Precision Machine Components Catalog CAT. No.E3162 and RA Model Roller Guide Catalog CAT. No.E3328. For other details, please consult NSK.

unit : mm

Model No.	Assembly			Slide																						
	Height H	E	W_2	Width W	Length L			Mounting hole						Grease fitting												
					Standard Spec.	V1 +K1 Spec.	V1 Spec.	B	J	J_2	$M \times \text{Pitch} \times \ell_1 (\ell_2)$	Q_2	L_1	K	T	Hole size	T_1	N								
RA25	EM	36	5	23.5	70	97.5	111.3	101.3																		
	GM					115.5	129.3	119.3	57	45	40	M8x1.25x10(11)	6.8	65.5	31	11	M6x0.75	6	11							
RA30	EM	42	6.5	31	90	110.8	126.8	114.8																		
	GM					135.4	151.4	139.4	72	52	44	M10x1.5x12(12.5)	8.6	74	35.5	11	M6x0.75	7	11							
RA35	EM	48	¹⁾ 6.5	33	100	123.8	140.8	127.8																		
	GM					152	169	156	82	62	52	M10x1.5x13(7)	8.6	83.2	41.5	12	M6x0.75	8	11							
RA45	EM	60	¹⁾ 8	37.5	120	154	173.2	159.2																		
	GM					190	209.2	195.2	100	80	60	M12x1.75x15(10.5)	10.5	105.4	52	13	Rc1/8	10	14							
RA55	EM	70	¹⁾ 9	43.5	140	184	203.2	189.2																		
	GM					234	253.2	239.2	116	95	70	M14x2x18(13)	12.5	128	61	15	Rc1/8	11	14							
RA65	EM	90	13	53.5	170	228.4	251.2	236.2																		
	GM					302.5	325.3	310.3	142	110	82	M16x2x24(18.5)	14.6	155.4	77	22	Rc1/8	19	14							

Notes 1) When highly dust-resistant V1 bottom seals are installed, the height of the slide bottom face refers to mounted dimensions. See the precautions above.
 2) Slide length L indicates length for the specification when mounted. For standard specifications: One standard side seal is attached to each end of the slide.
 For V1+K1: One V1 seal and NSK K1 unit are attached to each end of the slide.
 For V1: One V1 seal is attached to each end of the slide.

unit : mm

Width W_1	Height H_1	Pitch ³⁾ F	Mounting bolt holes $d \times D \times h$	G (Reference)	Max. length L_{0max}	Basic Load Ratings								Weight	
						⁴⁾ Dynamic		Static C_0 (N)	M_{FO}	Static moment (N·m)				Slide (kg)	Rail (kg/m)
						[50 km] C_{50} (N)	[100 km] C_{100} (N)			M_{PO}		M_{YO}			
						One slide	Two slides	One slide	Two slides	One slide	Two slides				
23	24	30 (60)	7x11x9	20	3 900	36 000	29 200	72 700	970	760	4 850	760	4 850	0.80	3.4
28	28	40 (80)	9x14x12	20	3 900	43 500	35 400	92 900	1 240	1 240	7 200	1 240	7 200	1.1	4.9
						47 800	38 900	93 500	1 670	1 140	7 100	1 140	7 100	1.3	
34	31	40 (80)	9x14x12	20	3 900	58 500	47 600	121 000	2 170	1 950	11 500	1 950	11 500	1.7	6.8
						65 500	53 300	129 000	2 810	1 800	11 000	1 800	11 000	1.7	
45	38	52.5 (105)	14x20x17	22.5	3 650	82 900	67 400	175 000	3 810	3 250	17 800	3 250	17 800	2.3	10.9
						114 000	92 800	229 000	6 180	4 080	24 000	4 080	24 000	3.2	
53	43.5	60 (120)	16x23x20	30	3 600	143 000	116 000	305 000	8 240	7 150	39 000	7 150	39 000	4.3	14.6
						159 000	129 000	330 000	10 200	7 060	41 000	7 060	41 000	5.4	
63	55	75 (150)	18x26x22	35	3 600	207 000	168 000	462 000	14 300	13 600	72 000	13 600	72 000	7.5	22.0
						259 000	210 000	504 000	19 200	12 700	78 500	12 700	78 500	12.2	
						355 000	288 000	756 000	28 700	28 600	153 000	28 600	153 000	16.5	

3) Pitch F of the rail mounting bolt holes have standard dimensions (without parentheses) and semi-standard dimensions (with parentheses). Please select one. If no selection is made, standard dimensions will be applied.
 4) Basic load ratings comply with ISO standards (ISO 14728-1, 14728-2). C_{50} : basic dynamic load rating for 50 km rated fatigue life, C_{100} : basic dynamic load rating for 100 km rated fatigue life

Increase in slide length with dust resistant options

To further improve dust resistance, additional highly dust-resistant V1 seals and NSK K1 units can be fitted on the slide. The table on the right shows how slide length increases with such additions. Note that friction force also increases with additional components.

When a protector is fitted on the outside of a highly dust-resistant V1 seal, the slide length increases by 1.6 mm for each protector.

Model	Highly dust-resistant V1 seal	NSK K1	Protector
RA25	3.4	5	1.6
RA30	3.4	6	1.6
RA35	3.4	6.5	1.6
RA45	4	7	1.6
RA55	4	7	1.6
RA65	5	7.5	1.6

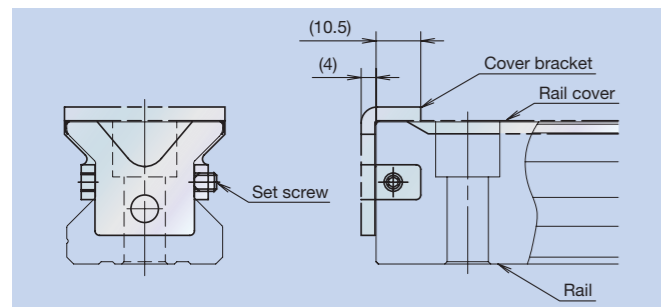
*Reflects dimensional increases for each additional NSK K1 lubrication unit, dust-resistant V1 seal, or protector.

Dimensions when rail cover is used

Rail covers are available for extreme usage conditions.

The table on the right shows standard rail heights and those when a rail cover is used.

Please consult NSK for instructions on installing rail covers.



End of rail with rail cover installed

Model	Standard height H_1	With rail cover
RA25	24	24.2
RA30	28	28.2
RA35	31	31.25
RA45	38	38.3
RA55	43.5	43.8
RA65	55	55.3

Dynamic friction force of seals and NSK K1™ lubrication units

- The table below indicates dynamic friction force per slide.
- Dynamic friction force is estimated based on actual usage conditions. The force shown is for standard specifications (with two end, inner, and bottom seals each) with standard grease packed within (AS2 grease).
- When using optional components, add the dynamic friction force for that part to the value for standard products (after subtracting the portion for standard end seals if using dust-resistant V1 seals).

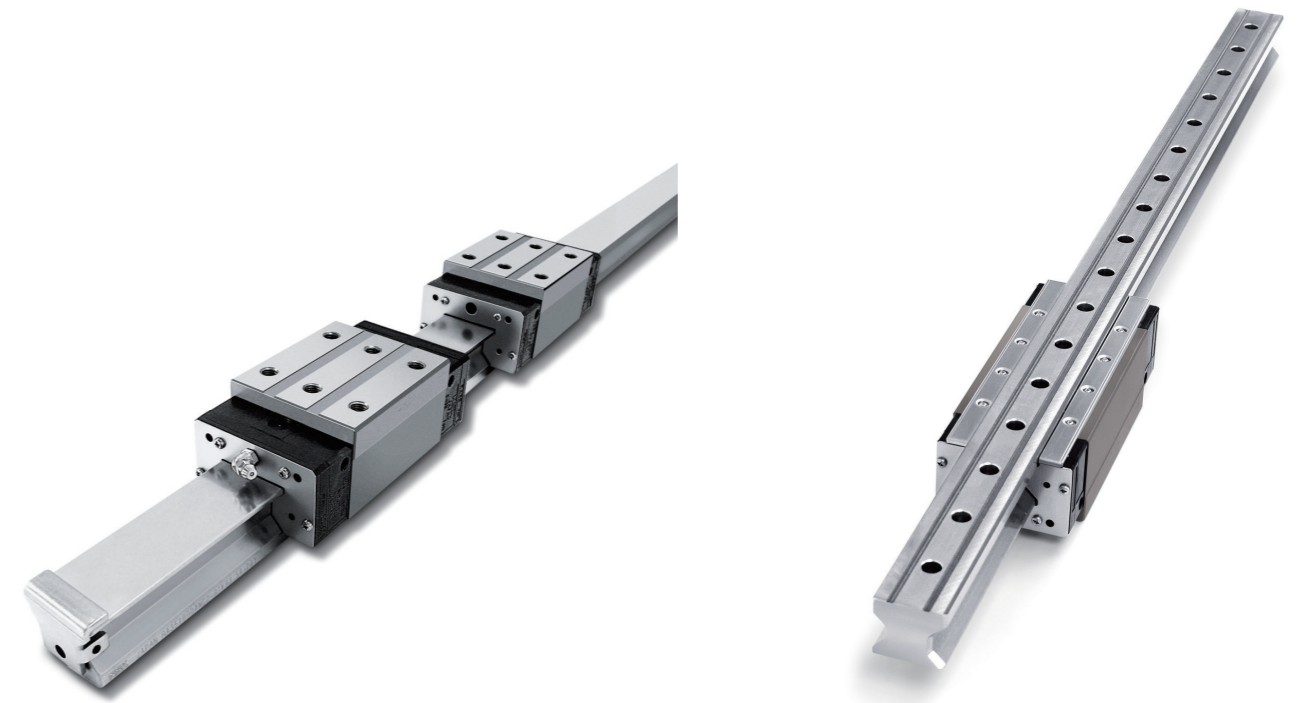
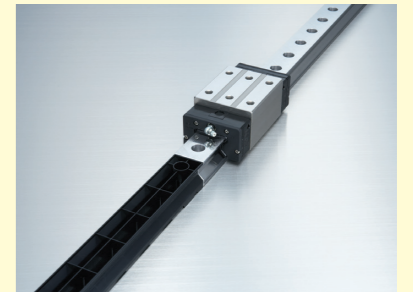
Dynamic friction force Unit: N

Model	Standard products (sealed with packed AS2 grease)*	Standard side seal portion*	Highly dust-resistant V1 seals*	Highly dust-resistant V1 bottom seals*	NSK K1 lubrication units*	
RA25	AN, AL, EM	27	5	6	—	4
	BN, BL, GM	34				
RA30	AN, AL, EM	33	5	8	—	4
	BN, BL, GM	42				
RA35	AN, AL, EM	42	6	10	17	5
	BN, BL, GM	53				
RA45	AN, AL, EM	56	8	15	21	7
	BN, BL, GM	69				
RA55	AN, AL, EM	80	8	20	25	8
	BN, BL, GM	95				
RA65	AN, EM	120	14	25	31	8
	BN, GM	138				

*Values are based on a slide fitted with two of the components listed.

Handling Precautions

- ① The maximum operating temperature for roller guides with dust-resistant V1 seals is 50°C (momentary maximum temperature: 80°C). Avoid contact with organic solvents that remove oil, such as hexane. Do not leave in kerosene or anticorrosives containing kerosene.
- ② Use a flat dolly block to insert caps into rail mounting bolt holes. Hit the cap gradually until its height becomes flush with the top surface of the rail. Keeping the rail in a high-temperature environment after inserting the caps may cause the caps to sink.
- ③ Notes on moving slides onto or from the rail:
 - Avoid removing slides from the rail during assembly whenever possible.
 - When moving slides onto or from the rail, use the temporary rail supplied. This prevents unnecessary force on the seal lip and slide and helps avoid dents, scratches, and falls.
 - When using the temporary rail to insert or remove a slide, align the guide rail with the temporary rail at the bottom and side faces, press the end face of the temporary rail against the end face of the guide rail, then move the slide carefully.
 - Use a clean temporary rail. Do not use a temporary rail treated with a different lubricant or that is contaminated with dirt or other foreign matter.



With rail cover

With highly dust-resistant V1 seals and V1 bottom seals.

Worldwide Sales Offices

P: Phone ☆: Head Office

NSK LTD. HEADQUARTERS, TOKYO JAPAN

INDUSTRIAL MACHINERY BUSINESS DIVISION-HEADQUARTERS P: +81-3-3779-7227
 AUTOMOTIVE BUSINESS DIVISION-HEADQUARTERS P: +81-3-3779-7189

Africa

South Africa:

NSK SOUTH AFRICA (PTY) LTD.
 SANDTON P: +27-011-458-3600

Asia and Oceania

Australia:

NSK AUSTRALIA PTY. LTD.
 MELBOURNE ☆ P: +61-3-9765-4400
 SYDNEY P: +61-2-9839-2300
 BRISBANE P: +61-7-3347-2600
 PERTH P: +61-8-9256-5000

New Zealand:

NSK NEW ZEALAND LTD.
 AUCKLAND P: +64-9-276-4992

China:

NSK (SHANGHAI) TRADING CO., LTD.
 JIANGSU ☆ P: +86-512-5796-3000

NSK (CHINA) INVESTMENT CO., LTD.

JIANGSU ☆ P: +86-512-5796-3000
 BEIJING P: +86-10-6590-8161
 TIAN JIN P: +86-22-8319-5030
 CHANGCHUN P: +86-431-8898-8682
 SHENYANG P: +86-24-2550-5017
 DALIAN P: +86-411-8800-8168
 NANJING P: +86-25-8472-6671
 FUZHOU P: +86-591-8380-1030
 WUHAN P: +86-27-8556-9630
 QINGDAO P: +86-532-5568-3877
 GUANGZHOU P: +86-20-3817-7800
 CHANGSHA P: +86-731-8571-3100
 LUOYANG P: +86-379-6069-6188
 XI'AN P: +86-29-8765-1896
 CHONGQING P: +86-23-6806-5310
 CHENGDU P: +86-28-8528-3680

NSK CHINA SALES CO., LTD.

JIANGSU ☆ P: +86-512-5796-3000

NSK HONG KONG LTD.

HONG KONG ☆ P: +852-2739-9933
 SHENZHEN P: +86-755-25904886

Taiwan:

TAIWAN NSK PRECISION CO., LTD.
 TAIPEI ☆ P: +886-2-2772-3355
 TAICHUNG P: +886-4-2708-3393
 TAINAN P: +886-6-215-6058

India:

NSK BEARINGS INDIA PRIVATE LTD.
 CHENNAI ☆ P: +91-44-28479600
 GURGAON P: +91-124-4838000
 MUMBAI P: +91-22-28387787
 JAMSHEDPUR P: +91-657-2421144

Indonesia:

PT. NSK INDONESIA
 JAKARTA P: +62-21-252-3458

Korea:

NSK KOREA CO., LTD.
 SEOUL P: +82-2-3287-0300

Malaysia:

NSK BEARINGS (MALAYSIA) SDN.BHD.
 SHAH ALAM ☆ P: +60-3-7803-8859
 PRAI P: +60-4-3902275
 JOHOR BAHRU P: +60-7-3546290
 IPOH P: +60-5-2555000

Philippines:

NSK REPRESENTATIVE OFFICE
 MANILA P: +63-2-893-9543

Singapore:

NSK INTERNATIONAL (SINGAPORE) PTE LTD.
 SINGAPORE P: +65-6496-8000

Thailand:

NSK BEARINGS (THAILAND) CO., LTD.
 BANGKOK P: +66-2320-2555

Vietnam:

NSK VIETNAM CO., LTD.
 HANOI P: +84-24-3955-0159
NSK REPRESENTATIVE OFFICE
 HO CHI MINH CITY P: +84-28-3822-7907

Europe

United Kingdom:

NSK EUROPE LTD. (EUROPEAN HEADQUARTERS)
 MAIDENHEAD P: +44-1628-509-800

NSK UK LTD.

NEWARK P: +44-1636-605-123

France:

NSK FRANCE S.A.S.
 PARIS P: +33-1-30-57-39-39

Germany:

NSK DEUTSCHLAND GMBH
 DUSSELDORF ☆ P: +49-2102-4810
 STUTTGART P: +49-711-79082-0
 WOLFSBURG P: +49-5361-27647-10

Italy:

NSK ITALIA S.P.A.
 MILANO P: +39-299-5191

Netherlands:

NSK EUROPEAN DISTRIBUTION CENTRE B.V.
 TILBURG P: +31-13-4647647

Poland:

NSK POLSKA SP.Z O.O.
 WARSAW P: +48-22-645-1525

Spain:

NSK SPAIN S.A.
 BARCELONA P: +34-93-289-2763

Turkey:

NSK RULMANLARI ORTA DOGU TIC. LTD. STI.
 ISTANBUL P: +90-216-5000-675

United Arab Emirates:

NSK BEARINGS GULF TRADING CO.
 DUBAI P: +971-(0)4-804-8200

North and South America

United States of America:

NSK AMERICAS, INC. (AMERICAN HEADQUARTERS)
 ANN ARBOR P: +1-734-913-7500

NSK CORPORATION

ANN ARBOR P: +1-734-913-7500

NSK PRECISION AMERICA, INC.

FRANKLIN ☆ P: +1-317-738-5000
 SAN JOSE P: +1-408-944-9400

NSK LATIN AMERICA, INC.

MIAMI P: +1-305-477-0605

Canada:

NSK CANADA INC.
 TORONTO ☆ P: +1-888-603-7667
 MONTREAL P: +1-514-633-1220

Argentina:

NSK ARGENTINA SRL
 BUENOS AIRES P: +54-11-4704-5100

Brazil:

NSK BRASIL LTDA.
 SUZANO ☆ P: +55-11-4744-2500
 JOINVILLE P: +55-47-3422-2239

Peru:

NSK PERU S.A.C.
 LIMA P: +51-493-4385

Mexico:

NSK RODAMIENTOS MEXICANA, S.A. DE C.V.
 SILAO, GUANAJUATO P: +52-472-500-9500

< As of July 2022 >

For the latest information, please refer to the NSK website.

www.nsk.com

Every care has been taken to ensure the accuracy of data in this publication, but NSK Ltd. accepts no liability for any loss or damage incurred from errors or omissions. As we pursue continuous improvement, all content (text, images, product appearances, specifications, etc.) contained in this publication is subject to change without notice. Unauthorized copying and/or use of the contents of this publication is strictly prohibited. Please investigate and follow the latest product export laws, regulations, and permit procedures when exporting to other countries.

For more information about NSK products, please contact: _____

